

## Introduction

The ME-RSA-M Remote Switch Adapter allows users to connect external switches and to remotely turn the inverter on and off from different locations. The ME-RSA-M requires a “momentary” type of switch and allows multiple switches in different locations to turn the inverter on and off.

The ME-RSA-M is simple to install and is designed to be used with inverters that provide a Stack port, such as the ME, MS, MS-AE, and RD Series inverters.

## Installation

Refer to Figure 2 for the following steps to install the ME-RSA-M:

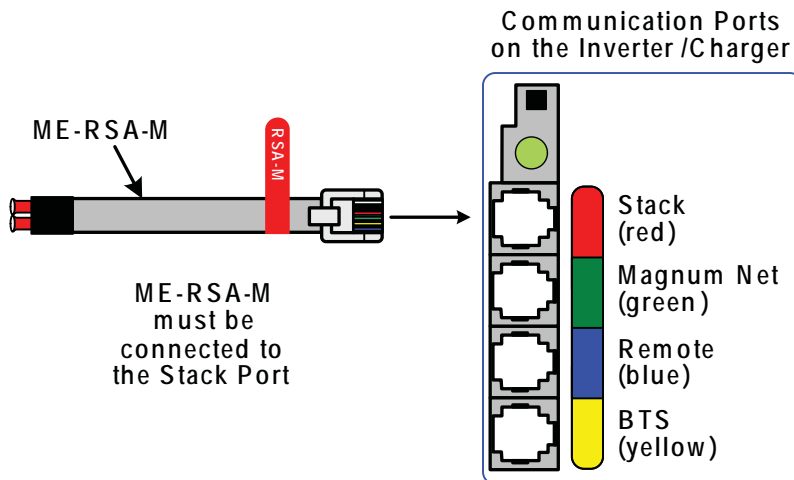
1. Crimp an appropriately sized wire to each butt-splice connector on the ME-RSA-M adapter, and ensure a tight connection.



**Info:** The red butt-splice connectors on the ME-RSA-M adapter accept 22 to 18 AWG wire.

2. Connect the other end of the two wires to one (or more) external on/off switches. This external switch should be a “momentary” type of switch which returns to its normal position when released.

3. The ME-RSA-M adapter **MUST** be plugged into the Stack port on the inverter as shown in Figure 1.



*Figure 1, ME-RSA-M Connection to Inverter*

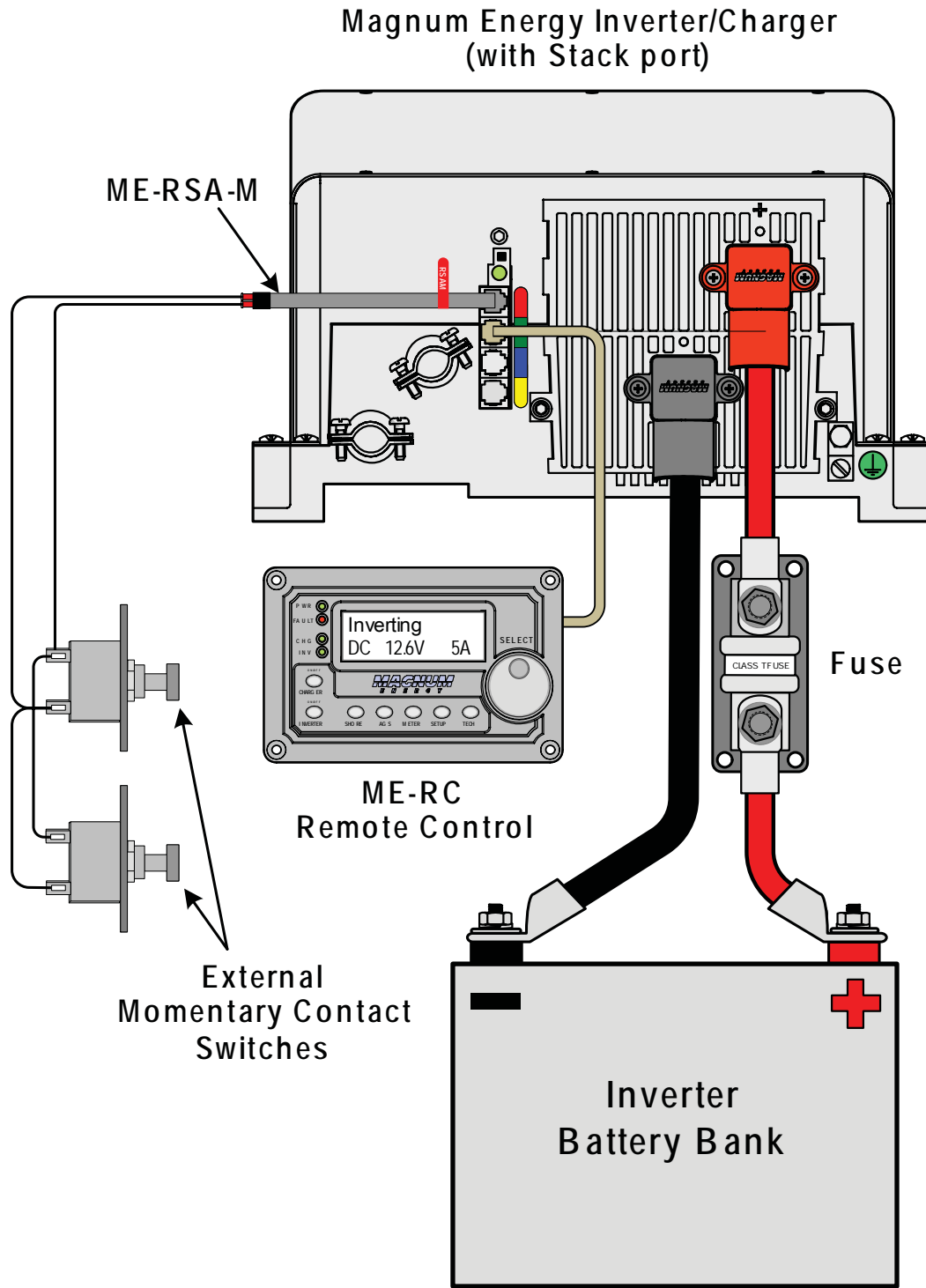
## Operation Steps

1. The inverter’s ON/OFF button (and on the ME-RC remote control, if connected) **can be used** in tandem with the switches connected to the ME-RSA-M.

2. The inverter will alternately turn on or off when either an external switch, a remote control, or the inverter’s ON/OFF button is alternately pressed.



**Info:** The charger will continue to function and is not affected by the ME-RSA-M adapter operation.



One push (on either switch, the inverter, or the remote) turns the inverter ON; the next push (on either switch, the inverter, or the remote) turns the inverter OFF.

Figure 2, ME-RSA-M Installation