

Introduction

The BP-S (single plate) and the BP-D (dual plate) are single piece, powder-coated steel backplates designed to accommodate the MP/MPX enclosures, a Magnum inverter, and the inverter hood (two of each component for the BP-D); thus making the complete system appear seamless. These backplates also provide a non-combustible surface for mounting the inverter(s) on a wall. Designed with PEM (i.e., internally threaded) nuts, each backplate is shipped with the necessary hardware for mounting the components listed above.

Mounting the Backplates to the Wall

Mount all the backplates to the wall using appropriate hardware (not supplied). The mounting holes on the backplates are spaced to accommodate wall studs that are placed 16" on center (refer to Figures 1 and 2). If the mounting holes don't fall on wall studs, attach a sheet of plywood (minimum 3/4") or APA-rated sheathing on the wall. The backplates with the attached components are heavy, so ensure that all the backplates are securely mounted.



Info: If mounting more than one backplate, start with the right-most backplate and work to the left.



Info: Each backplate has pre-drilled side holes (see Figures 1 and 2, Detail C) which can be used to connect all the backplates together prior to mounting them on the wall.



Info: For a cleaner look, the four attachment clips on the far right backplate can be removed (snapped off) prior to mounting (see Figures 1 and 2, Detail B)



CAUTION: If you remove the attachment clips, you lose the '16" on center' measurement on both the BP-S and BP-D backplates (right side of BP-D only).

Mounting Components on the Backplates

The dual backplate is designed to support two MP enclosures, two Magnum inverters, and two inverter hoods. You also have the option to mount just one MP enclosure, a MPX extension, and two connected inverters. Once the backplates are mounted, follow the steps below to attach (in this order) the enclosures (MP or MPX), the Magnum inverters, and then the inverter hoods. Refer to Figures 1 thru 4.

A - Enclosures (MP or MPX extension)

1. Screw four Hex head bolts halfway into the backplate where the enclosure will be mounted (*M or X holes*).
2. Hang the MP/MPX enclosure on those four Hex head bolts using the enclosure's keyhole slots.
3. Tighten the Hex head bolts to secure the enclosure to the backplate.
4. Repeat steps 1-3 to mount any additional MP enclosures or MPX extensions (*M₂ or X₂ holes*).

B - Magnum Inverters

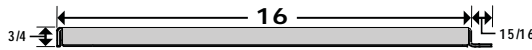
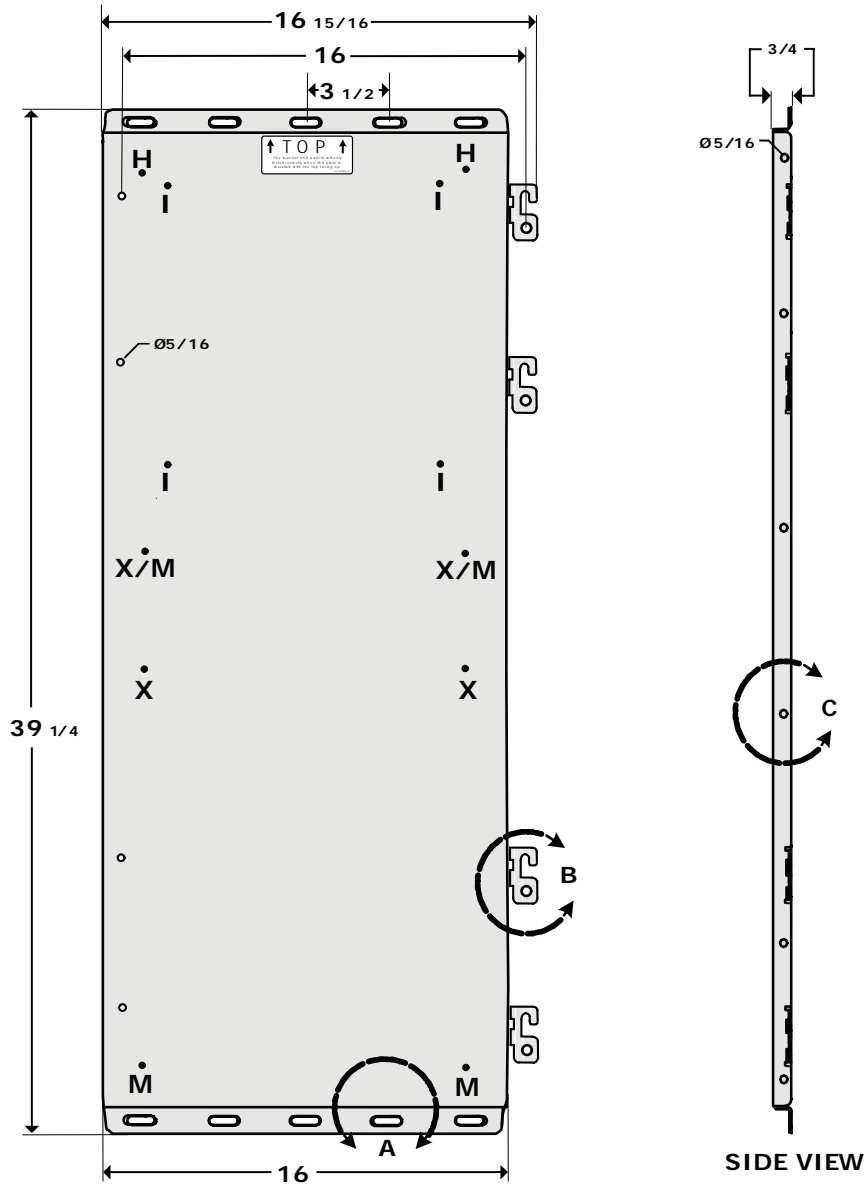
1. Place the Magnum inverter on top of the enclosure.
2. Secure the inverter to the backplate using four Hex head bolts and the inverter's keyhole slots (*I holes*).
3. Tighten the Hex head bolts to secure the inverter to the backplate.
4. Repeat steps 1-3 to mount any additional Magnum inverters (*I₂ holes*).

C - MP Hoods

1. Screw two Hex head bolts halfway into the backplate where the inverter hood will be mounted (*H holes*).
2. Place the inverter hood on these screws and tighten securely. Ensure that the bottom edge of the hood is flush against the top of the Magnum inverter.
3. Repeat steps 1 and 2 to mount any additional inverter hoods (*H₂ holes*).

BP-S and BP-D Instruction Sheet

Mounting Holes
 H = Hood
 I = Inverter
 X = MPX
 M = MP enclosure



TOP VIEW

Notes:

1. All dimensions are in inches.
2. Shipping Dimensions: $18 \frac{3}{16}$ " x $1 \frac{1}{16}$ " x $41 \frac{9}{16}$ ".
3. Material = 16-gauge steel.
4. Finish = Powder-coated white.
5. Weight: 15.5 lbs. (7.1 kg), Shipping Wt: 17.5 (8.0 kg).
6. Includes ten $1/4$ -20 x $3/4$ " Hex bolts; for mounting the MP enclosure, a Magnum inverter, and the inverter hood.

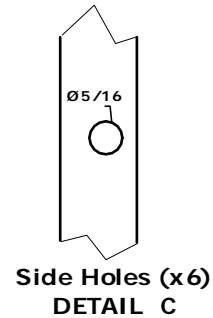
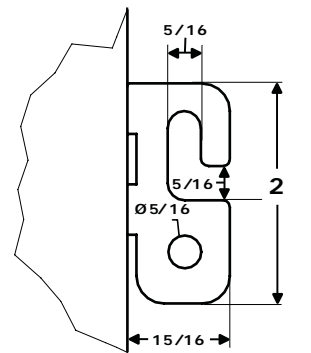
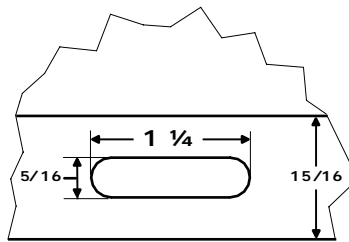
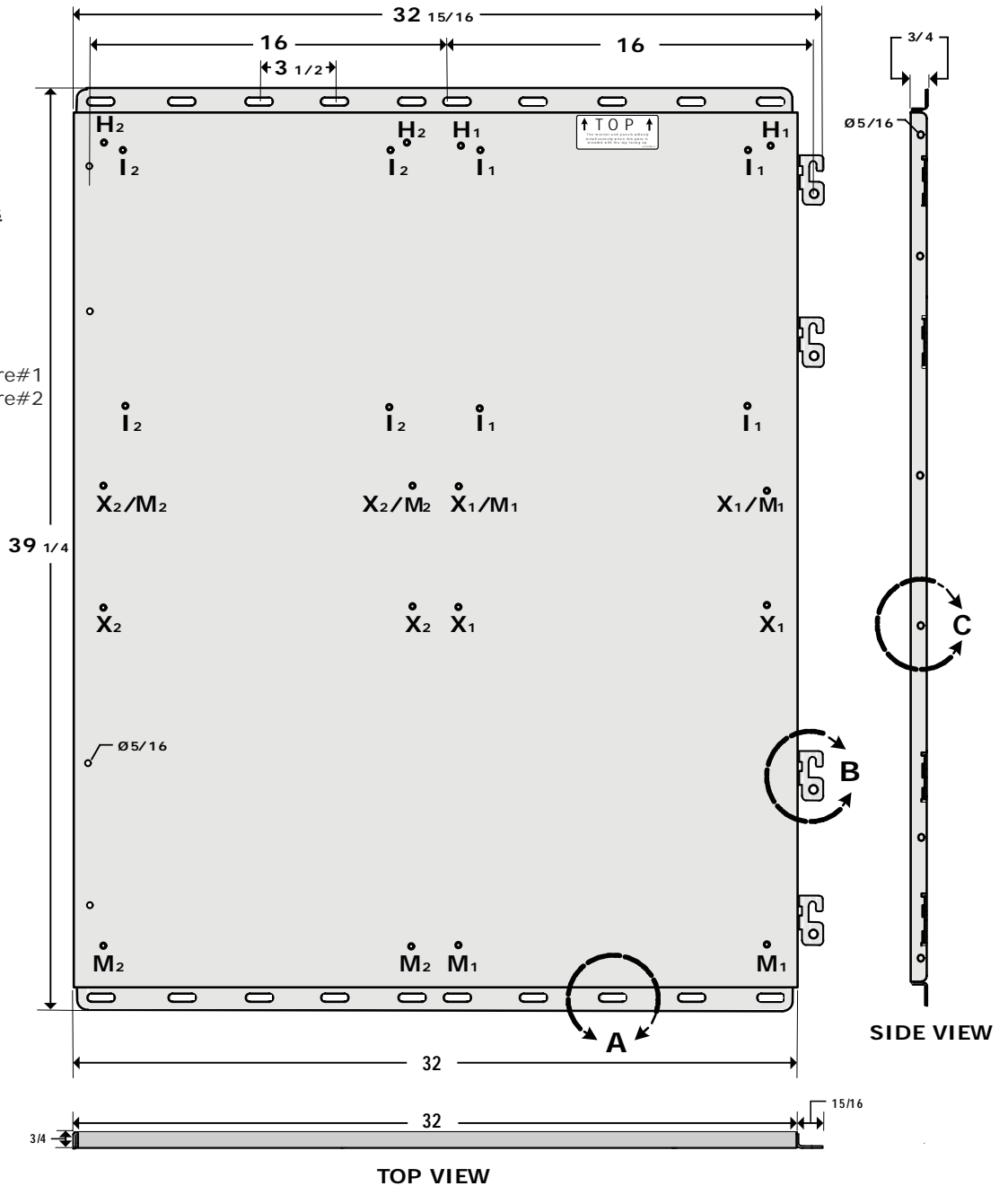


Figure 1, BP-S Backplate Dimensions

Mounting Holes

- H1 = Hood#1
- H2 = Hood#2
- I1 = Inverter#1
- I2 = Inverter#2
- X1 = MPX#1
- X2 = MPX#2
- M1 = MP enclosure#1
- M2 = MP enclosure#2



Notes:

1. All dimensions are in inches.
2. Shipping Dimensions: 34 3/16" x 41 9/16" x 1 1/16" x 41 9/16".
3. Material = 16-gauge steel.
4. Finish = Powder-coated white.
5. Weight: 29.5 lbs. (13.4 kg), Shipping Wt: 33.5 lbs (15.2 kg).
6. Includes twenty 1/4-20 x 3/4" Hex bolts; for mounting two MP enclosures, two Magnum inverters, and two inverter hoods.

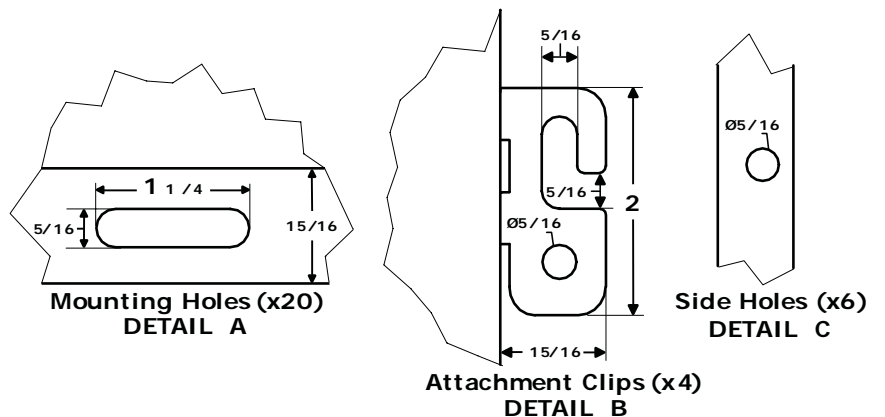


Figure 2, BP-D Backplate Dimensions

BP-S and BP-D Instruction Sheet

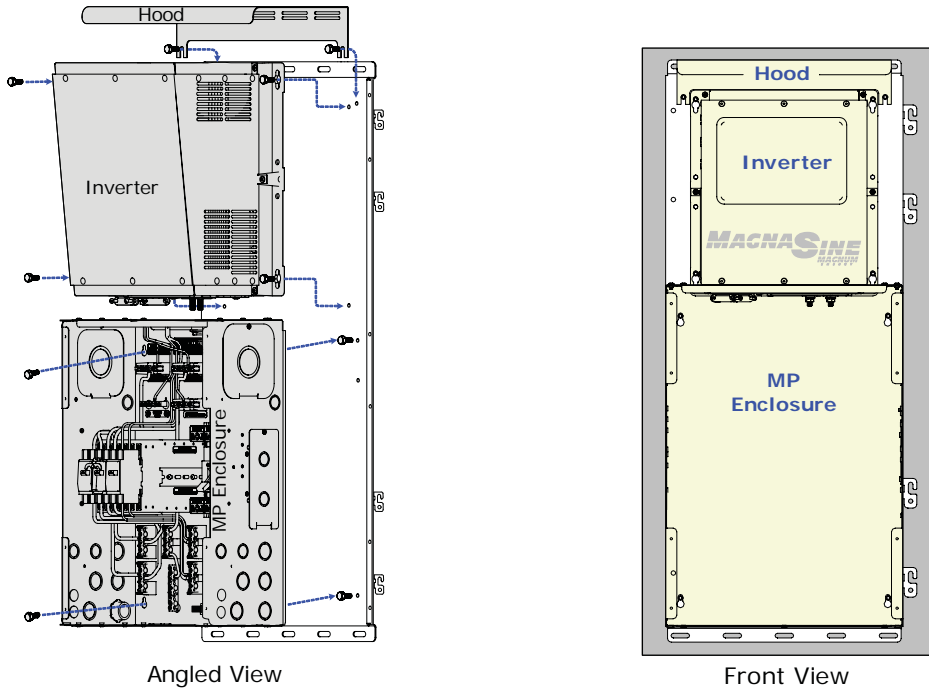
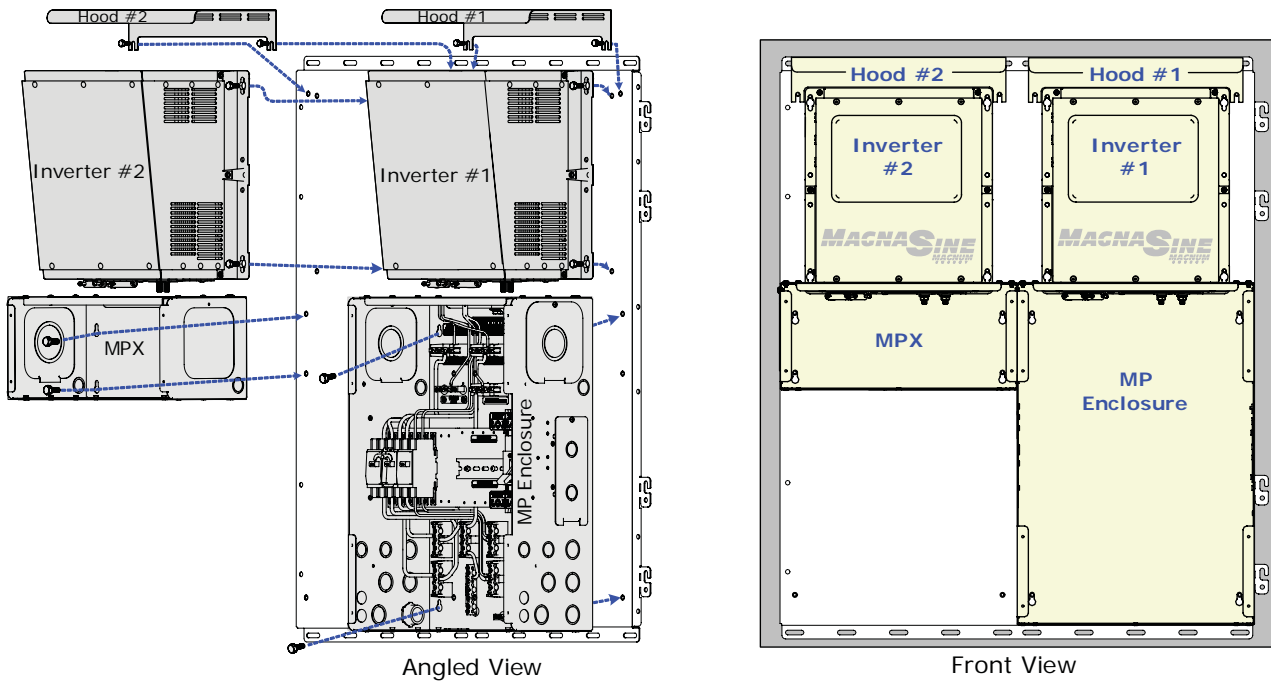


Figure 3, Installing Components on a BP-S Backplate



NOTE: Magnum recommends that the MPX be mounted on the left side of the BP-D backplate.

Figure 4, Installing Components on a BP-D Backplate